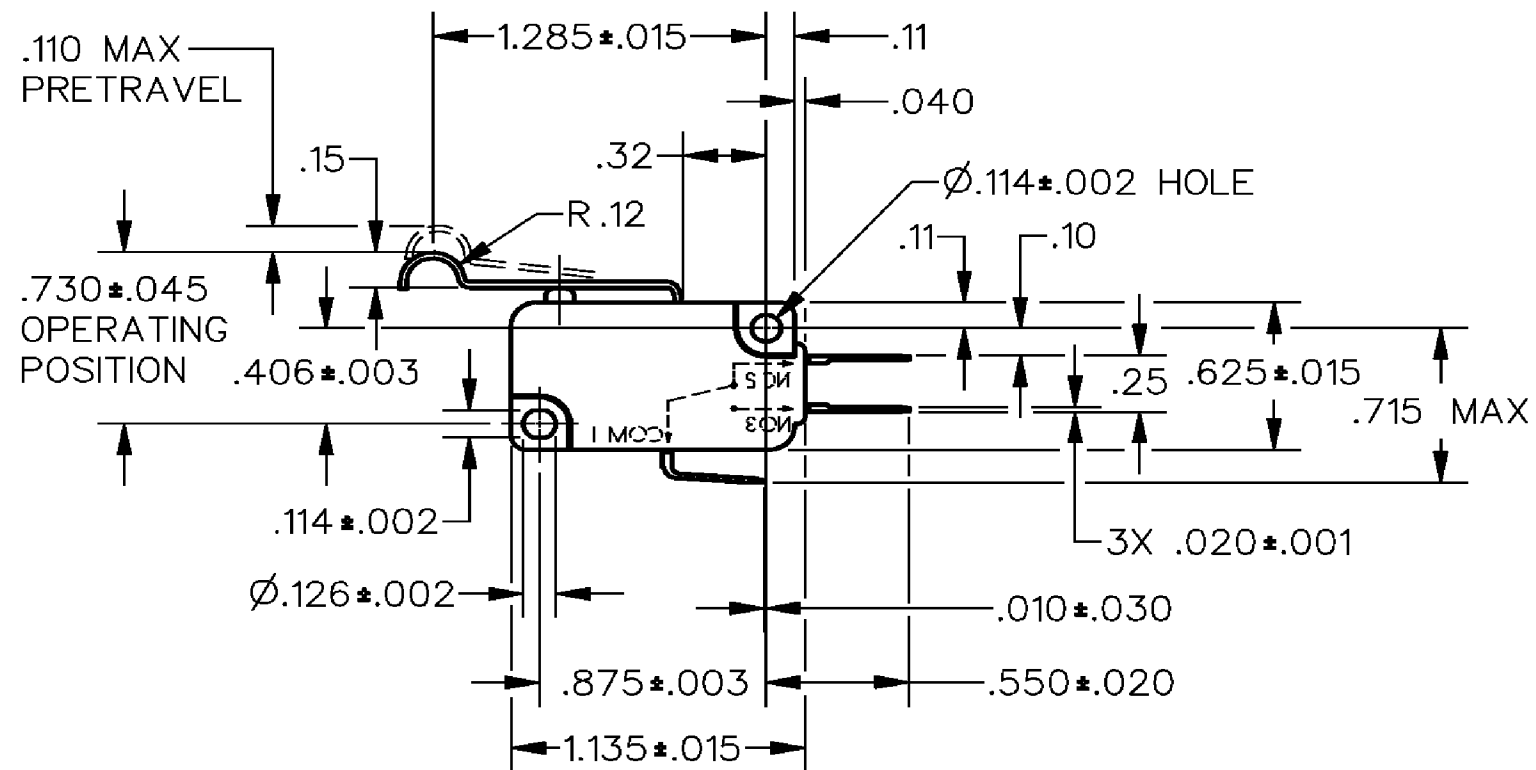
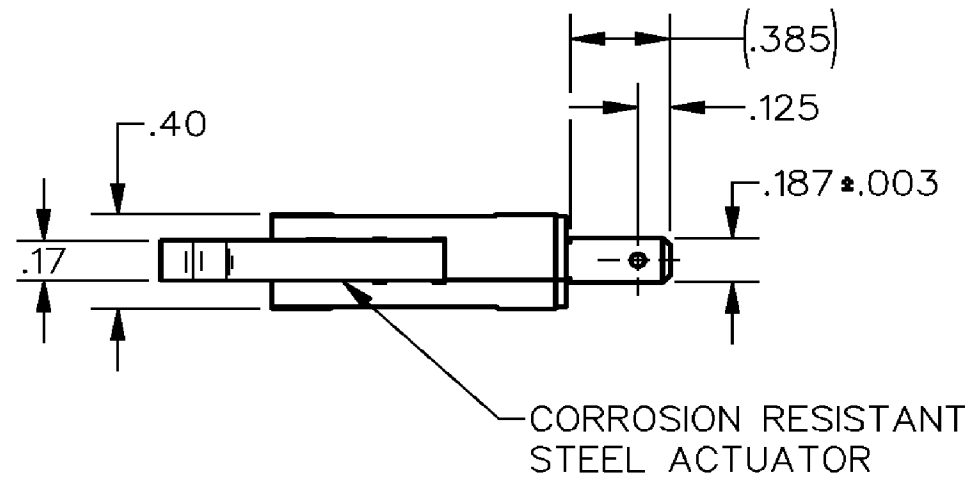


HONEYWELL  
PART NUMBER

REV	DOCUMENT	CHANGED BY	CHECK
3	0041135	VS 26JUN08	BLR



RELEASE NO	CATALOG LISTING
PR-19189	V7-1C17D8-263
	CW-B1655

CHARACTERISTICS	
OPERATING FORCE-----	91 GRAMS MAX
RELEASE FORCE -----	9 GRAMS MIN
DIFFERENTIAL TRAVEL -----	.024 MAX
OVERTRAVEL -----	.061 MIN
RELEASE TRAVEL -----	.015 MIN

ELECTRICAL DATA
CONTACT ARRANGEMENT S P D T
L215
15.1A 1/2HP 125, 250 OR 277 VAC
1/2A 125 VDC
1/4A 250 VDC; 5A 125 VAC "L"

DESIGN UNITS: INCH
TOLERANCES UNLESS NOTED:
NO PLACE X ±
ONE PLACE .X ±
TWO PLACE .XX ±
THREE PLACE .XXX ±
FOUR PLACE .XXXX ±
ANGLES ±
THIRD ANGLE PROJECTION

DRAWN	DCS	06JUN08
CHECK	DAW	18JUN08
THIS DRAWING COVERS A PROPRIETARY ITEM AND IS THE PROPERTY OF HONEYWELL. THIS DRAWING IS NOT TO BE COPIED OR USED WITHOUT THE PERMISSION OF HONEYWELL.		
INTERPRET PER ANSI Y14.5M-1982 OTHER HONEYWELL ENGINEERING STANDARDS MAY APPLY		
RASTER		

<b>Honeywell</b>			
TITLE <b>SWITCH, BASIC</b>			
SIZE	DWG TYPE	DRAWING NAME	REV
<b>B</b>	<b>I</b>	<b>V7-1C17D8-263</b>	<b>3</b>
SCALE	WEIGHT	SHEET	OF
		<b>1</b>	<b>1</b>

